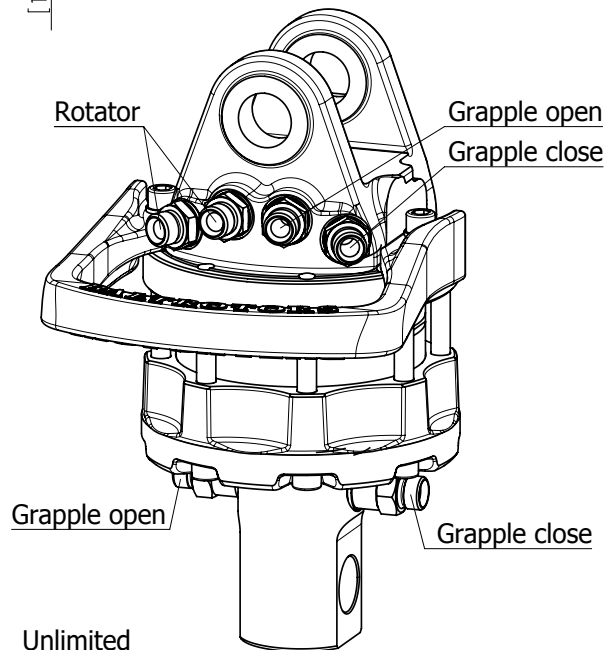
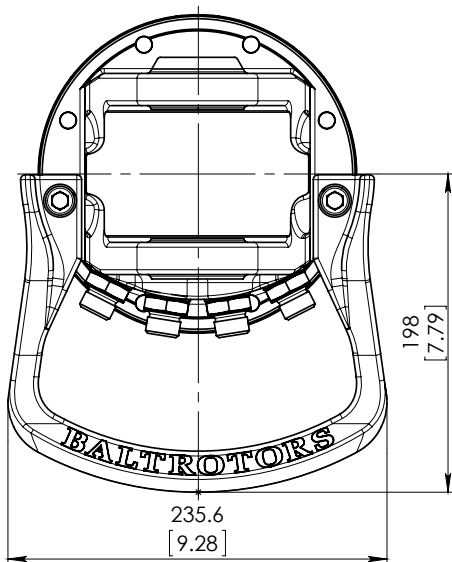
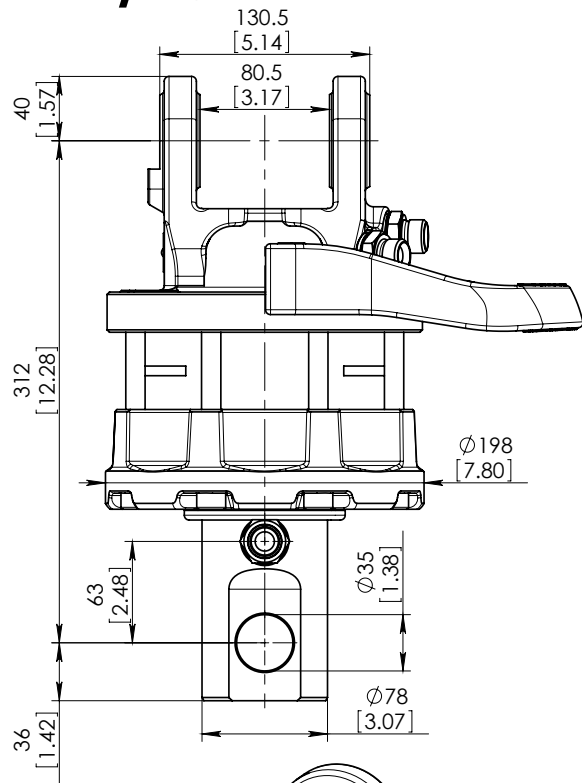
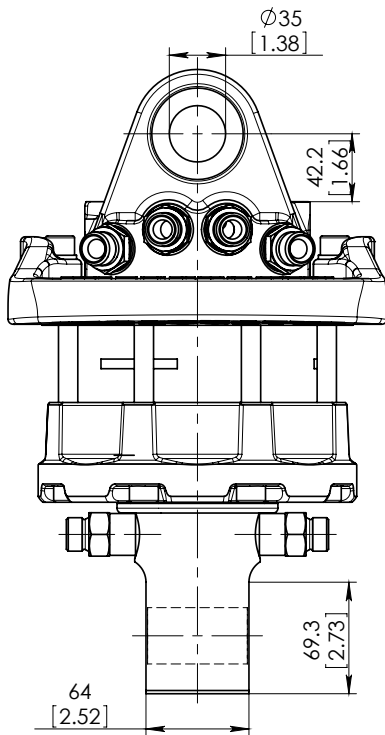


ROTATOR GR60/78DB



Technical data

Rotation

Max axial load static, KN (lbf)

Max axial load dynamic, KN (lbf)

Torque at 25Mpa (3625psi), Nm (lb ft)

Rec oilflow, l/min (US gallon)

Weight, kg (lb)

Unlimited

+60 (13491)

- 50 (11242)

+30 (6745)

- 25 (5621)

1600 (1180)

25 (6.6)

38 (84)

Max working pressure:

Rotator **←R→** Max 25 MPa (3625 psi) G 1/2

Grapple / Tool open **←G→** Max 20 MPa (2900 psi) G 1/2

Grapple / Tool close **→G←** Max 30 MPa (4350 psi) G 1/2

Connection: