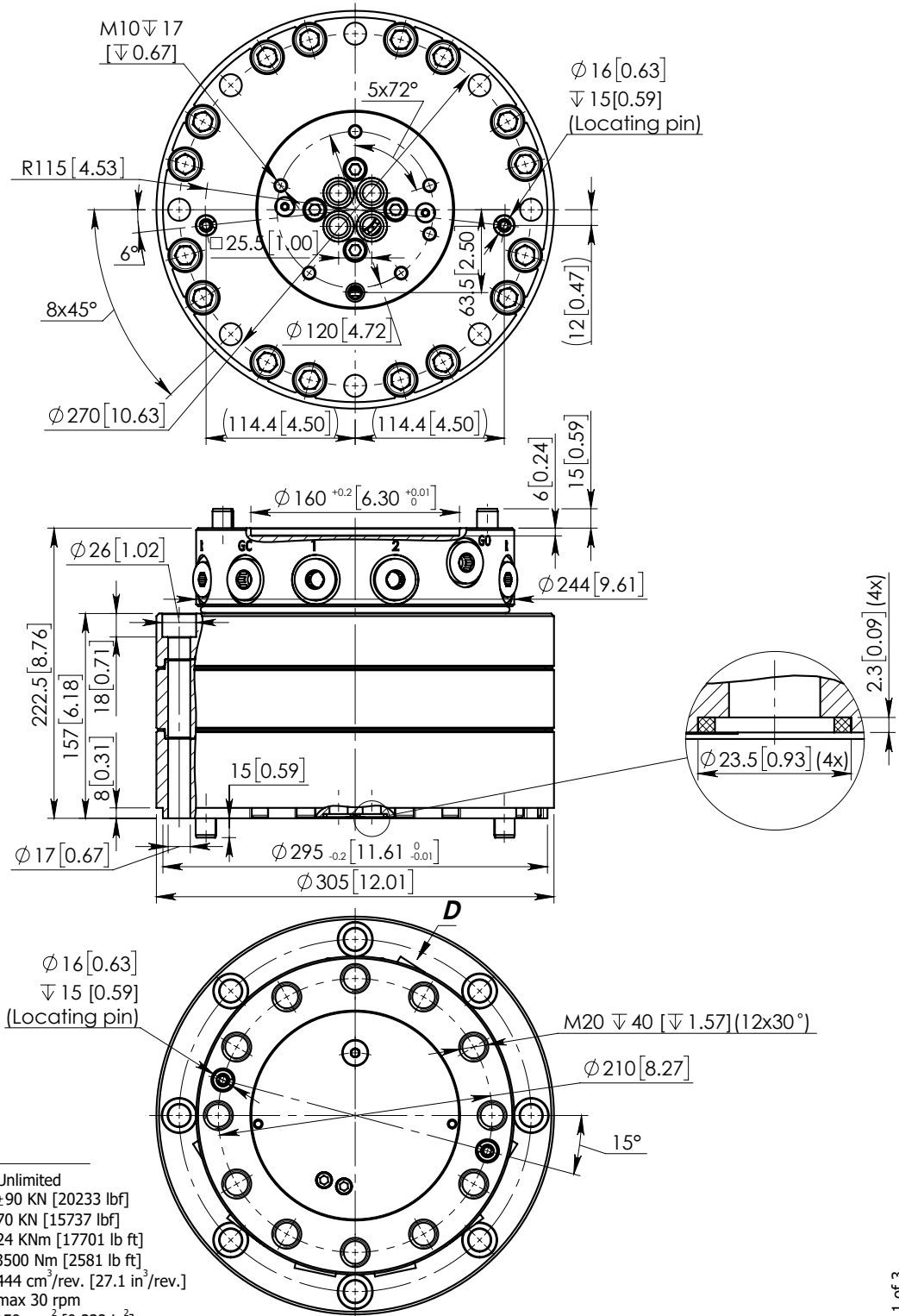


INDUSTRIAL ROTATOR CPR9-04ST

with increased stopping moment



Technical data

Rotation	Unlimited
Max axial load	± 90 KN [20233 lbf]
Max radial load	70 KN [15737 lbf]
Moment of deflection	24 KNm [17701 lb ft]
Torque at 25 Mpa	3500 Nm [2581 lb ft]
Rated displacement	444 cm ³ /rev. [27.1 in ³ /rev.]
Rotation speed	max 30 rpm
Oil duct area for GO,GC,1,2	150 mm ² [0.232 in ²]
Weight	99 kg [219 lb]

Function	Max working pressure	Rec oilflow	Connection
R - rotation	25 MPa [3625 psi] *	30 l/min [7.9 gal(US)/min]	G 1/2
GO - grapple/tool open	35 MPa [5076 psi]		G 3/4
GC - grapple/tool close	35 MPa [5076 psi]		G 3/4
1 - extra oil function	35 MPa [5076 psi]		G 3/4
2 - extra oil function	35 MPa [5076 psi]		G 3/4
D - drain channel	1 MPa [145 psi]		G 3/8

* Relief valves fitted

Operating machine

e.g. excavator weight

Connected via link 16t
Rigid mounted 10.5t

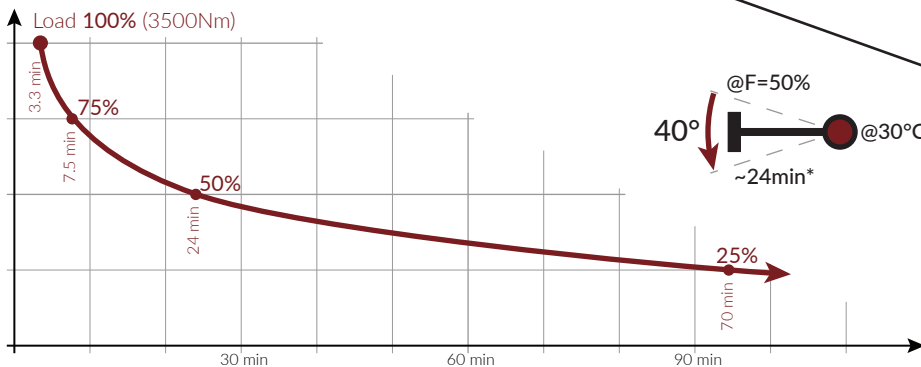
CPR9-04ST | INDUSTRIAL PISTON TYPE ROTATOR with increased stopping moment and more channels



More power, more functions, same size!
Powerful radial piston-type motor for tough work in any conditions, in any position.
Specially designed to hold tool position, even under eccentric loads.

Position holding is achieved through a high-precision oil distributor. The high-capacity double bearing withstands axial and radial/bending loads. Relief valves are fitted to absorb pressure peaks during rotation.

A multichannel compact manifold inside rotator for tool functions like a Grapple Open, Grapple Close, saw functions and feed, furthermore additional connection for drainage.



* Time duration in minutes, where eccentrically loaded arm travels, starting from 20° angle above the horizontal line till 20° below, at oil temperature 30°C, at closed rotation channels with the help of holding valves directly before the rotator, to eliminate any other leakages in the hydraulic system.

330 kN

90 kN

3500 Nm

99 kg

25 MPa

35 MPa

35 MPa

G1/2

G3/4

G3/4

EXTRA OIL FUNCTION CONNECTIONS:

1 35 MPa

2 35 MPa

D 1 MPa

G3/4

G3/4

G3/8

BEST FOR:



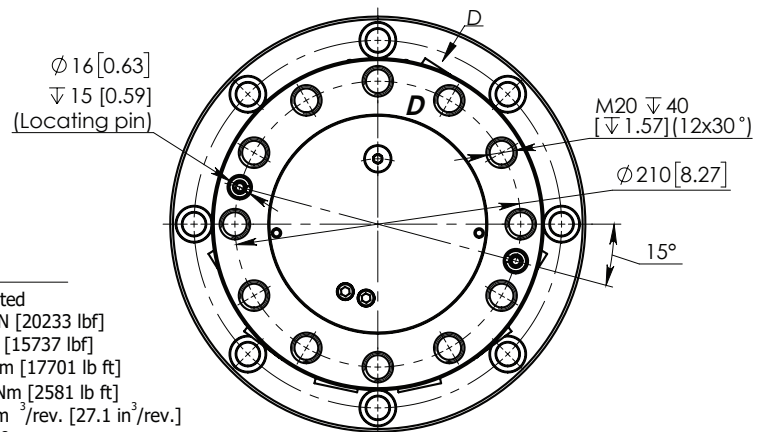
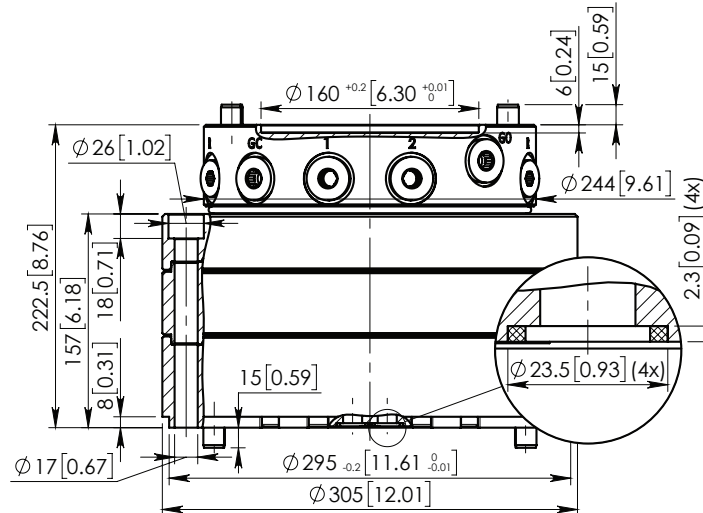
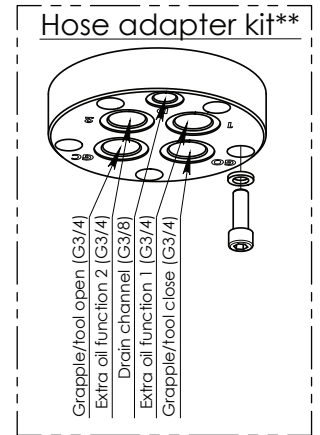
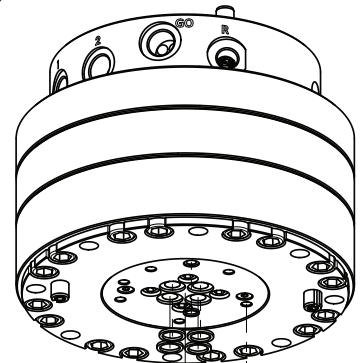
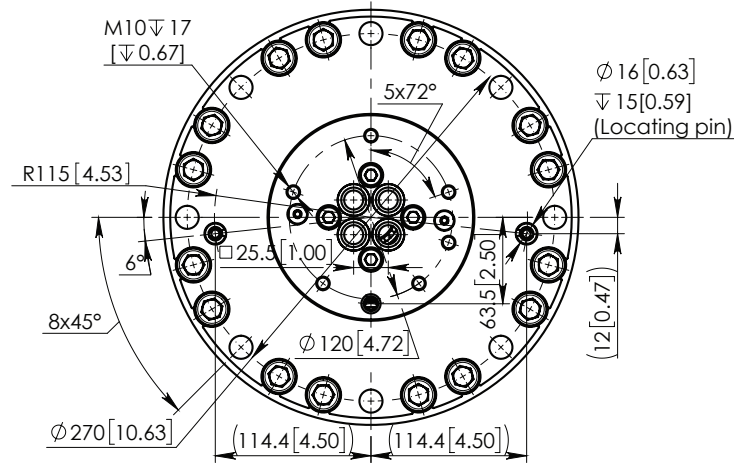
MID-SIZE
EXCAVATORS

QUALITY
RELIABILITY
INNOVATION

BALROTORS®

CPR9-04ST

dimensions mm [inch]



Technical data

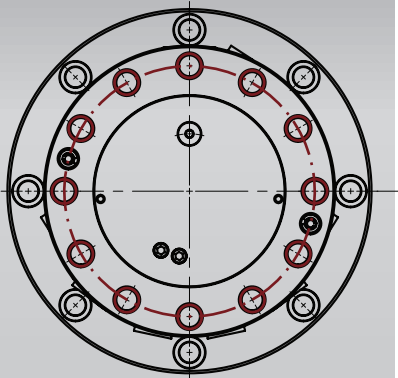
Rotation	Unlimited
Max axial load	±90 KN [20233 lbf]
Max radial load	70 KN [15737 lbf]
Moment of deflection	24 KNm [17701 lb ft]
Torque at 25 Mpa	3500 Nm [2581 lb ft]
Rated displacement	444 cm ³ /rev. [27.1 in ³ /rev.]
Rotation speed	max 30 rpm
Oil duct area for GO, GC, 1, 2	150 mm ² [0.232 in ²]
Weight	99 kg [219 lb]

Function	Max working pressure	Rec oilflow	Connection	Operating machine e.g. excavator weight
R - rotation	25 MPa [3625 psi] *	30 l/min [7.9 gal(US)/min]	G 1/2	Connected via link 16t
GO - grapple/tool open	35 MPa [5076 psi]		G 3/4	Rigid mounted 10.5t
GC - grapple/tool close	35 MPa [5076 psi]		G 3/4	
1 - extra oil function	35 MPa [5076 psi]		G 3/4	
2 - extra oil function	35 MPa [5076 psi]		G 3/4	
D - drain channel	1 MPa [145 psi]		G 3/8	

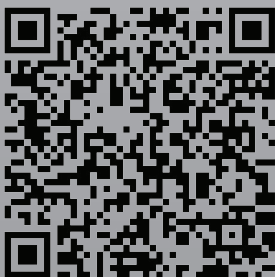
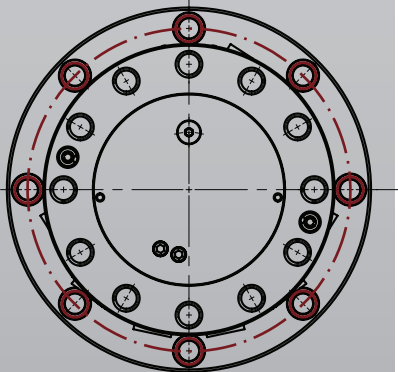
* Relief valves fitted

** Hose adapter with any connection available, on request

Top connection form factor
12x210mm (12x30° M20
bolts on diameter 210mm)



Grab connection form factor
8x270 (8x45° 17mm holes on
diameter 270)



Scan for more